

GP Batteries

Product Specification

Product: GPDesign – Prosumer Multi-Colour Flashlight

Model: PSR51

Revision History

Revision	Date	Initiator	Reason for Change
1.0	30 th July 2019	Wallace Tso	First Release

Prepared By	Approved By
Wallace Tso	Patrick Lee
30 th July 2019	1 st Aug 2019

GPI International Limited

7/F, Building 16W, 16 Science Park West Avenue
Hong Kong Science Park, New Territories, Hong Kong,
Tel: (852) 2484 3333 Fax: (852) 24805912
Email: gpii@goldpeak.com
Website: <http://www.gpbatteries.com>

GP Batteries

Basic information:

Product Name : Prosumer Multi-Colour Flashlight
Dimension : 175 x Ø 39 mm
Weight : 160 g (without battery) / 210 g (with battery)

Per ANSI FL1 Standard:

	White	Red	Blue	Green
Lumen output (+/- 15%)	470 lm / 235 lm / 25 lm	105 lm / 50 lm / 5 lm	25 lm / 10 lm / 1 lm	170 lm / 75 lm / 10 lm
Max. Candela (+/- 15%)	14550cd	7800cd	130cd	7550cd
Max. Beam distance (+/- 15%)	240m	175m	20m	175m
Runtime (+/- 15%)	2h / 3h 10 mins / 12h	3h / 5h 15 mins / 27h	3h 45 mins / 6h 10 mins / 21h	5h 30 mins / 8h 30 mins / 45h
IP rating	IPX8			
Impact resistance	1.5m			

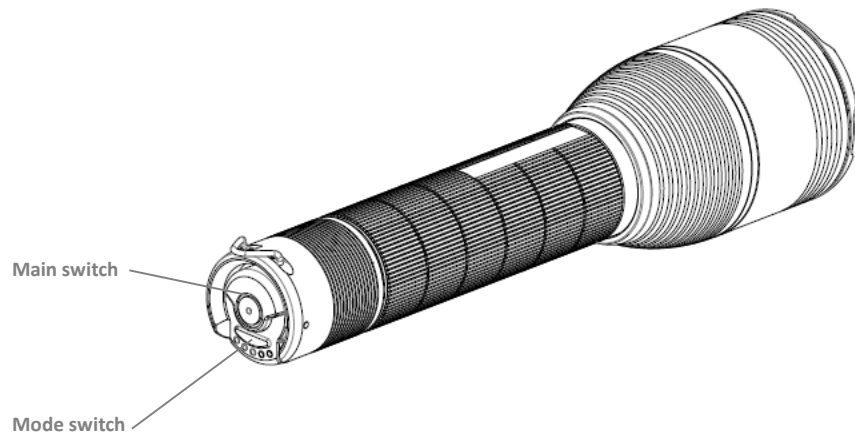
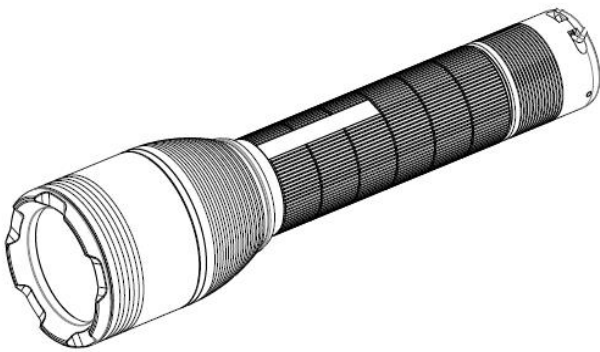
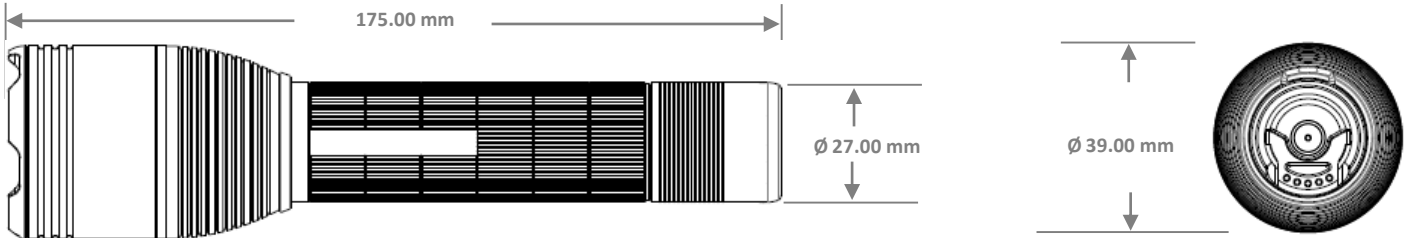
Technical parameters:

LED chip : OSRAM LED
Color temperature : 5700 – 7000K (For white LED only)
Housing material : Aluminum with Type II hard anodizing (Grey)
Battery type : 1 x Li-ion 18650 battery / 2 x Lithium CR123A battery
Switch : Dual switch system
- Mechanical switch (Main switch) (On tail cap)
- Electronic switch (Mode switch) (On tail cap)
Light mode : On – Off / Momentary-on / Strobe / SOS
(Refer to attached manual for operations)
Color changing system : Rotating the head to change white / red / blue / green
Indicator light : LED charging indicator light
- Green LED (Charging completed)
- Red LED (Charging in progress)
Rechargeable : Built-in Micro USB – Input 5V, 800mA
Accessories : USB Cable, O-ring, Pouch, Lanyard & GP Li-ion 18650 2600mAh
Certification : CE, ROHS



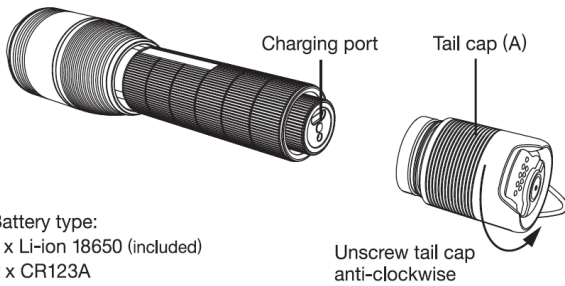
GP Batteries

Technical drawings:



User Manual

GB

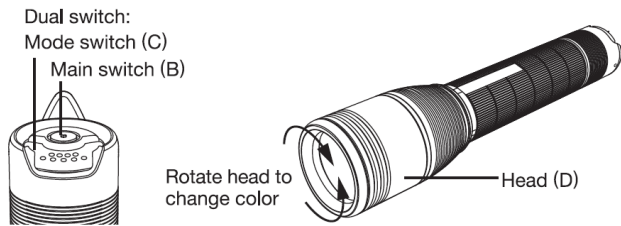


Battery type:
1 x Li-ion 18650 (included)
2 x CR123A

Unscrew tail cap
anti-clockwise

Charging the flashlight

1. Unscrew the tail cap (A).
2. Ensure Li-ion 18650 battery inserted correctly in battery holder. Do not attempt to charge Lithium CR123A batteries as this may cause serious damage to the flashlight.
3. Plug the Micro USB end into the base of the flashlight. Plug the USB end into a power source such as a computer, power bank charger, USB wall socket adaptor or USB car charger.
4. LED battery indicator light:
Green LED: Charging completed
Red LED: Charging in progress
5. Disconnect the USB cable when fully charged and screw on tail cap (A) to the base of the flashlight.



Operation

Select desired color by rotating head (D).

When light off:

Press (B) → On → Press (B) → Off	
Half press (B) → Momentary on → Release → Off	
Press (B) → High → Press (C) → Medium → Press (C) → Low (the cycle repeats)	
Flashlight memorizes last output used	
Press (C) 3 times within 1 sec → SOS	<input type="checkbox"/> Press (B) → High <input type="checkbox"/> Press (C) → Off
Press (C) → Instant strobe	
Press (C) → Hold >5 sec → Continuous strobe	<input type="checkbox"/> Press (B) → High <input type="checkbox"/> Press (C) → Off

When light on:

Press (C) 3 times within 1 sec → SOS	<input type="checkbox"/> Press (B) → Off <input type="checkbox"/> Press (C) → High
Press (C) → Hold >3 sec → Continuous strobe	<input type="checkbox"/> Press (B) → Off <input type="checkbox"/> Press (C) → High

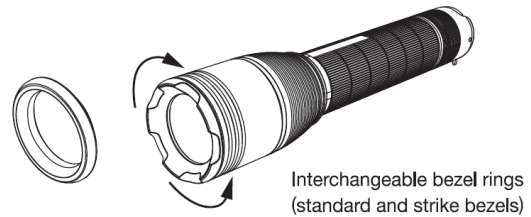
Lockout mode when light on/off:

Press (C) 7 times within 2 sec → Flashes twice — Lockout mode activated → When (C)/(B) is pressed, flashlight flashes once momentarily to show in lockout mode

When lockout mode is activated → Press (C) 7 times within 2 sec → Flashes twice — Deactivated

Interchange Bezel ring:

Unscrew bezel anti-clockwise, select optional bezel and tighten clockwise



Interchangeable bezel rings
(standard and strike bezels)

Features

- 4-in-1 color LED — white / red / blue / green light for different applications
- Light modes: High / medium / low + strobe, SOS and momentary-on (applicable to all 4 colors)
- Dual switch for ease of use and operation
- Intelligent memory circuit recalls last light output used
- Durable aircraft grade aluminum body with hard wearing anodized protective coating
- Polarity protection and PWM regulation for accurate light output
- Tail-stand and anti-roll
- Direct charging using Micro USB

Specifications

Lumen output*:	White:	470 lm/235 lm/25 lm
	Red:	105 lm/50 lm/5 lm
	Blue:	25 lm/10 lm/1 lm
	Green:	170 lm/75 lm/10 lm
Candela*:	White:	14550 cd
	Red:	7800 cd
	Blue:	130 cd
	Green:	7550 cd
Beam distance*:	White:	240 m
	Red:	175 m
	Blue:	20 m
	Green:	175 m
Runtime*:	White:	2 h/3 h 10 mins/12 h
	Red:	3 h/5 h 15 mins/27 h
	Blue:	3 h 45 mins/6 h 10 mins/21 h
	Green:	5 h 30 mins/8 h 30 mins/45 h
IP rating:	IPX8	
Impact resistance:	1.5 m	
Battery type:	Li-ion 18650/Lithium CR123A	
LED:	Cree LED	
Weight:	160 g without batteries	
Dimension:	175 x 39 mm	

* Note: The above data is based using a GP 3.7 V/2600 mAh Li-ion 18650 battery according to ANSI FL1 standard. Data will vary if an optional power source such as Lithium CR123A is used.

Safety Instructions and Warnings

⚠ Batteries

Use 1 x Li-ion 18650 battery with integrated overcharge and over-discharge Protection Circuit Module (PCM). Failure to use high quality batteries with PCM may result in damage to the flashlight and battery.

Replacing battery

When changing batteries first switch off flashlight before removing tail cap (A) and install new batteries in the appropriate battery holder. Screw the tail cap when batteries have been correctly fitted according to prescribed polarity markings on the battery holder (+) and (-). Care should be taken that the batteries are installed in accordance with the battery polarity.