

GP Batteries

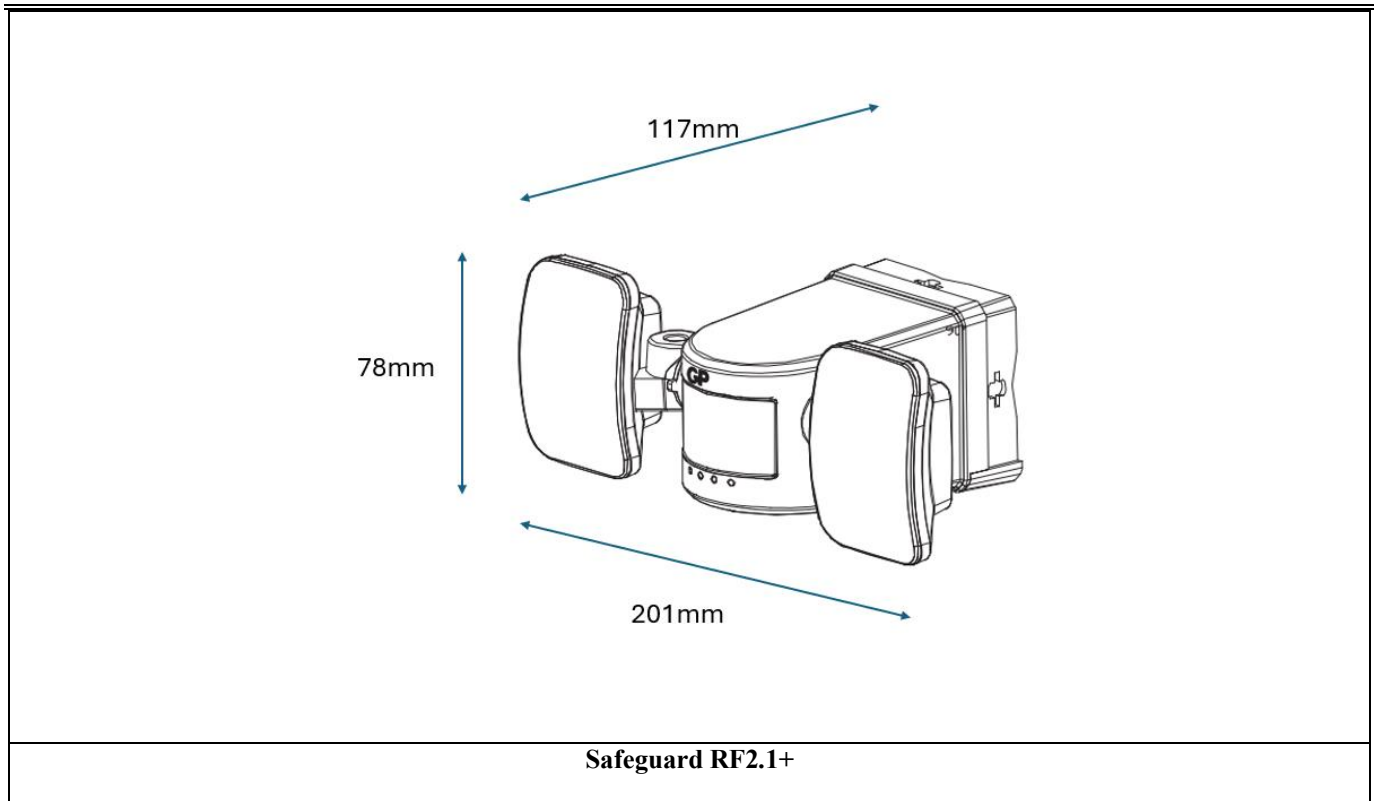
PRODUCT SPECIFICATION

Safeguard RF2.1+
Model: ASP2

Revision History

Revision	Date	Initiator	Reason for Change
0.0	9 Dec 2024	Amy Lam	First release

Prepared By	Approved By
Amy Lam	Vincent Lam
Date: 9 Dec, 2024	Date: 10 Dec, 2024



Product name	: Safeguard RF2.1+
Application	: LED outdoor automatic motion sensor security light, two headlamps
Input voltage	: 4.5VDC (3 x 1.5V C / LR14 batteries)
Operating time	: 300 Days * (Based on 50% brightness mode with new alkaline batteries, 5 operations per day)
CCT	: 4500K – 5500K
Lumen	: 360lm
LED type	: Panels x 2 (6pcs SMD LED x 2)
Brightness modes	: 25% / 50% / 75% / 100%
Light duration	: 10s
Sensor	: Photo sensors & PIR sensors
Sensor detection range	: 6M, 140°
Operation temperature	: -20°C to +50°C
Storage temperature	: -20°C to +50°C
Product dimension	: 117mm(L) x 201mm (W) x 78 (H) mm (Approx.)
Weight	: 205g (Approx.)
IP rating	: IP55
Compliance	: CE, ROHS
Warranty period	: 24 months from ex-factory date