

# GP Batteries

## PRODUCT SPECIFICATION

**GP Portable PowerBank  
Model : B10B**

### Revision History

Revision	Date	Initiator	Reason for Change
0.0	31 Jul 2022	CC Li	Draft Release

Prepared By	Approved By
CC Li	Joyce Tse
Date: 31 Jul 2024	Date: 31 Jul 2024

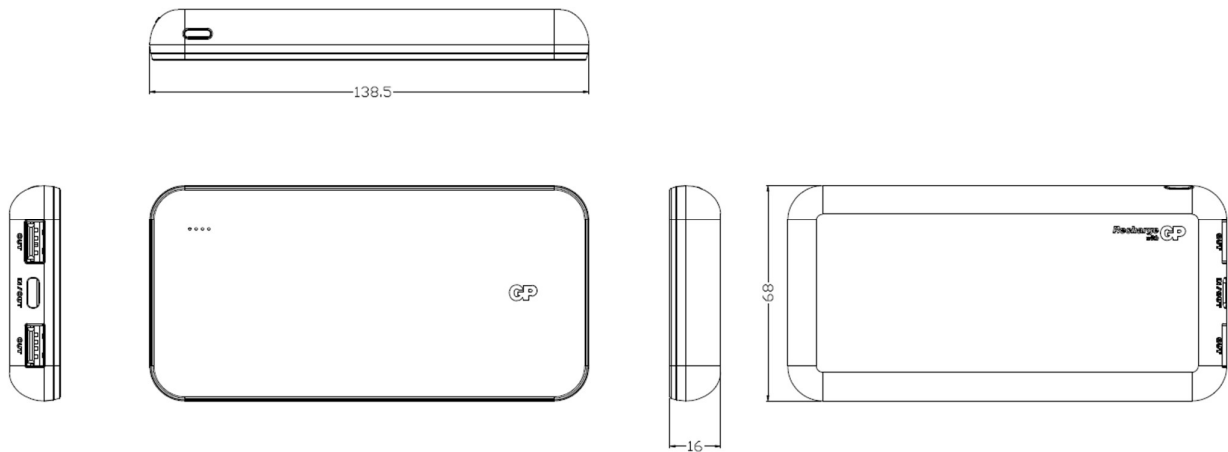
# GP Batteries

---

## Product Specification

Model no.: B10B

---



---

Product Name	:	GP Portable PowerBank <b>B10B</b>
Description	:	Back up power for USB powered electronic devices (e.g. smartphones, tablet PCs)
Battery Rating	:	Lithium Polymer 3.7V 10000mAh 37.0Wh
Input	:	[USB-C] DC 5V/3A
Output	:	[USB-C] DC 5V/3A [USB-A1] or [USB-A2] DC 5V/3A [USB-A1 + USB-A2] DC 5V/3A [USB-C + USB-A1 + USB-A2] DC 5V/3A
Application	:	Charge mobile and electronic devices with USB input
Recharging Time	:	Approx. 5 hours by 5V/3A via USB-C port
Operation Temperature	:	5°C to 35°C

# GP Batteries

## Product Specification

Model no.: B10B

Safety protection : 1) Over voltage protection  
2) Under voltage protection  
3) Over charging protection  
4) Over discharging protection  
5) Over current protection  
6) Short circuit protection  
7) Over & under temperature protection  
8) Loop back protection

LED Indication : **Charging & Discharging the Portable PowerBank**

Table 1

Charging & Discharging Condition	LED Indicator
Charging	Last LED flashing
Discharging	Refer to battery status (Table 2)
Fully charged	All LEDs On

**Press button to show battery status :**

Table 2

Battery Strength	LED indicator
Good	Four LED on
Good to average	First Three LED on
Average	First Two LED on
Weak	One LED on
Very Weak	One LED Flash
No Power	No LED

Dimensions : 138.5 (L) x 68 (W) x 16 (H) mm +/-0.5mm

Weight : 224g +/- 10g

Certification : CE, UKCA, RoHS, UN38.3, IEC62133, IEC62368

Warranty Period : 12 months from ex-factory date