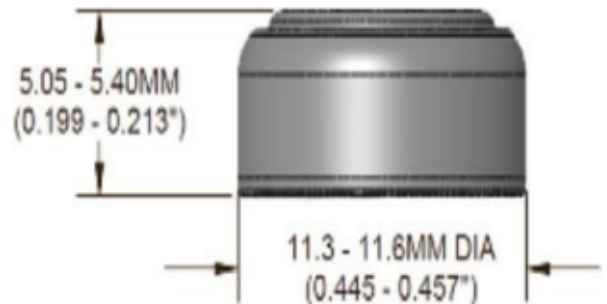


Description : Hearing Aid Battery
Chemical system : Zinc / Air
Nominal voltage : 1.45Volts
Impedance : < 4Ω @AC 1kHz
Dimensions : approx. Ø11.6mm x 5.4mm
Average weight : 1.79 grams
Volume : 0.57 cc
Operation temperature : -10°C - 50°C
Storage temperature : 10°C ~30°C
Shelf life : 4 years at room temperature

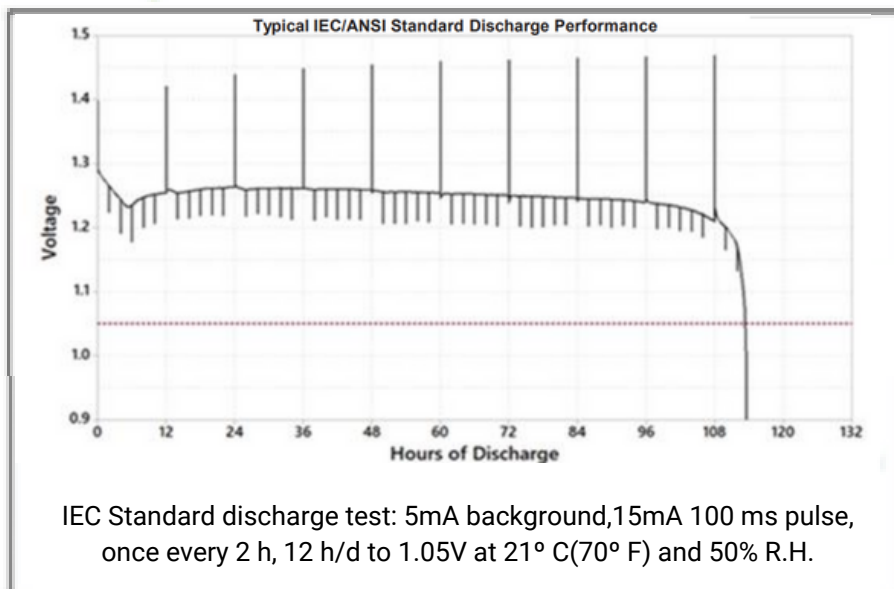
Model no.: **ZA675F**



Cross References:

IEC	JIS	Panasonic	Varta
PR 44	PR675	PR675	P675

Discharge Characteristics



(subject to change without prior notice) contained in this data sheet is for informational purposes only and should not be used as a basis for product guarantee or warranty. For applications other than those described here, please consult your nearest GP Sales and Marketing Office or Distributors.