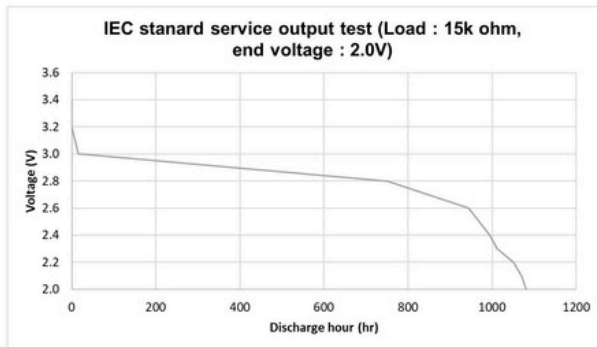


Description : Flat Lithium Battery
Chemical system : Lithium Manganese
Nominal voltage : 3 Volts
Nominal capacity : 220 mAh
Dimensions : $\varnothing 20\text{mm} \times 3.2\text{mm}$
Shelf life : 10 years at room temperature
Average weight : 3.1 grams
Operation temperature : $-20^{\circ}\text{C} \sim 60^{\circ}\text{C}$
Storage temperature : $20 \pm 2^{\circ}\text{C}$

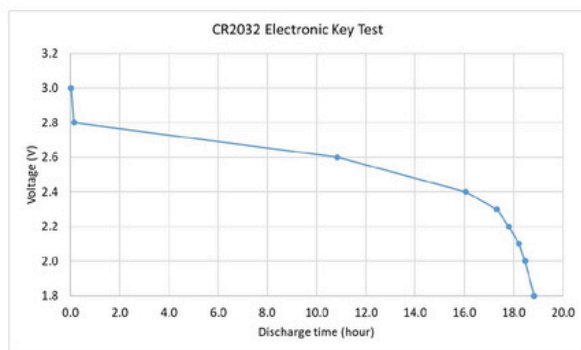
Cross References:

IEC	JIS	Panasonic	Varta
CR2032	CR2032	CR2032	CR2032

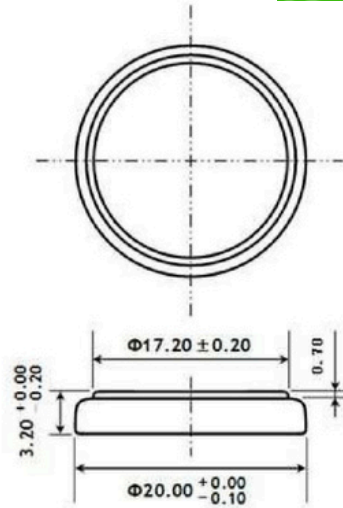
Discharge Characteristics



Pulse discharge characteristics



Model No.: **CR2032**



Dimension Drawing

The information (subject to change without prior notice) contained in this document is for reference only and should not be used as a basis for product guarantee or warranty. For applications other than those described here, please consult your nearest GP Sales and Marketing Office or Distributors.