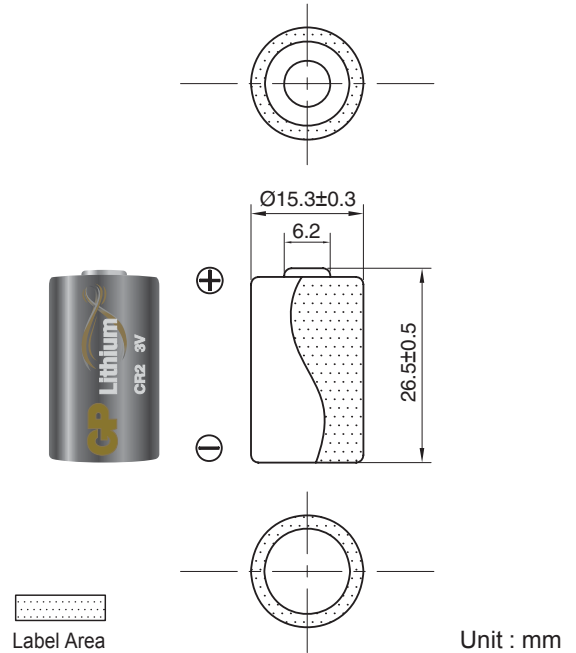


Model No.: **GPCR2**

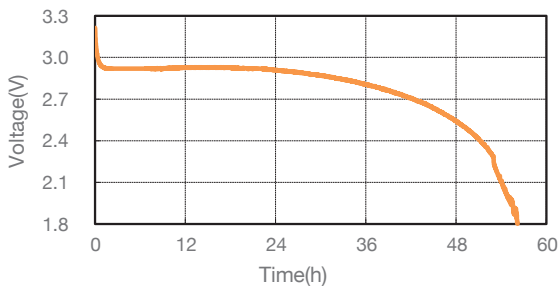
Description	: Consumer Lithium Battery, CR2
Chemical System	: Lithium Manganese Dioxide
Nominal Voltage	: 3.0 Volts
Nominal Capacity	: 750mAh @ 10mA to 1.8V at 23°C
Dimensions	: Ø15.3 mm x 26.5 mm
Terminals	: Flat
Shelf Life	: Up to 10 years
Average Weight	: App. 10g
Application	: Smoke Detector, Sensors, Home Security Products
Operating Temperature	: -40°C to +60°C
Standards	: UL1642, UL2054, IEC60086-4, UN38.3



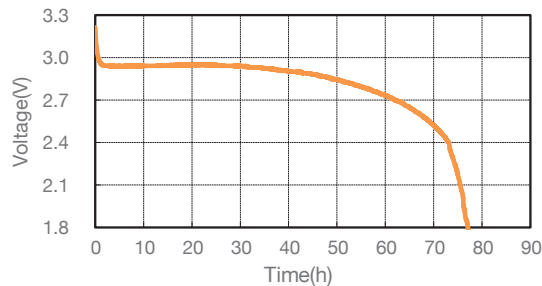
Cross References:

JIS	GP	Panasonic	Energizer	Duracell
CR15H270	CR2	CR-2	EL1CR2	DLCR2

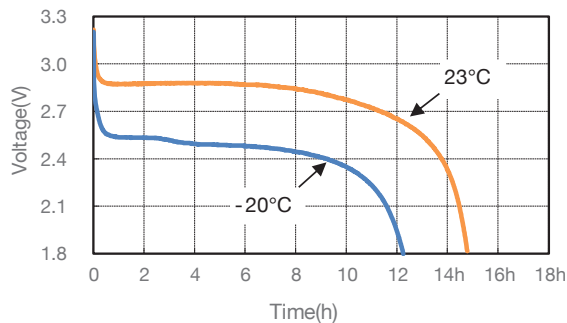
200Ω continuous discharge to 1.8V at 23°C



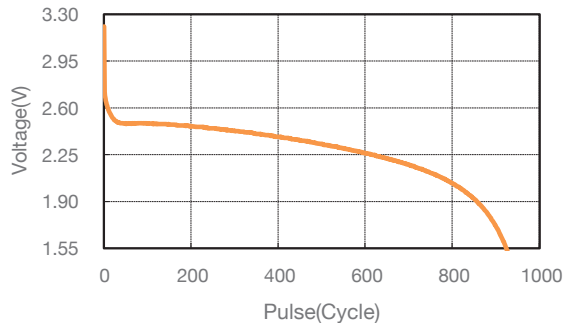
10mA continuous discharge to 1.8V at 23°C



50mA continuous discharge to 1.8V at 23°C & -20°C



900mA (3s on/27s off) pulse discharge to 1.55V at 23°C



The information (subject to change without prior notice) contained in this document is for reference only and should not be used as a basis for product guarantee or warranty. For applications other than those described here, please consult your nearest GP Sales and Marketing Office or Distributors.

www.gpbatteries.com